

HJIE-C43 series

Current Transducer

1. Brief introduction

HJIE-C43 current transducer uses Hall effect(open loop principle) to measure AC current. The output signal could be small current or low voltage that can be accepted by electronic circuit. The primary input current and the output signal is highly electric isolated. This kind of transducer has a compact size but with a 104 x 40mm size window. It can be used in Power Utility, Telecom, Oil & Gas, welding machine and New energy fields.



- ★ AC current measurement ★ Good overload capacity
- ★ Good linearity ★ Galvanic isolation between primary and secondary circuit ★ Low power consumption
- ★ Split core

2. Order information (see right chart)

Nominal Current:

500 800 1000 1500 2000Aac

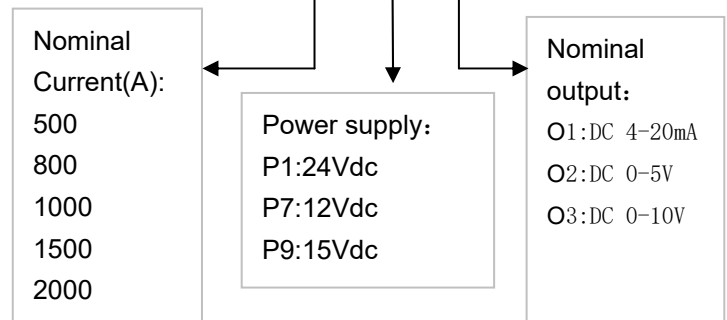
Nominal output:

O1:DC 4-20mA ,O2:DC 0-5V ,O3:DC 0-10V

Power supply:

P1: 24Vdc P7: 12Vdc P9:15Vdc

HJIE-C43-xxxPx Ox



3. Eletrical data

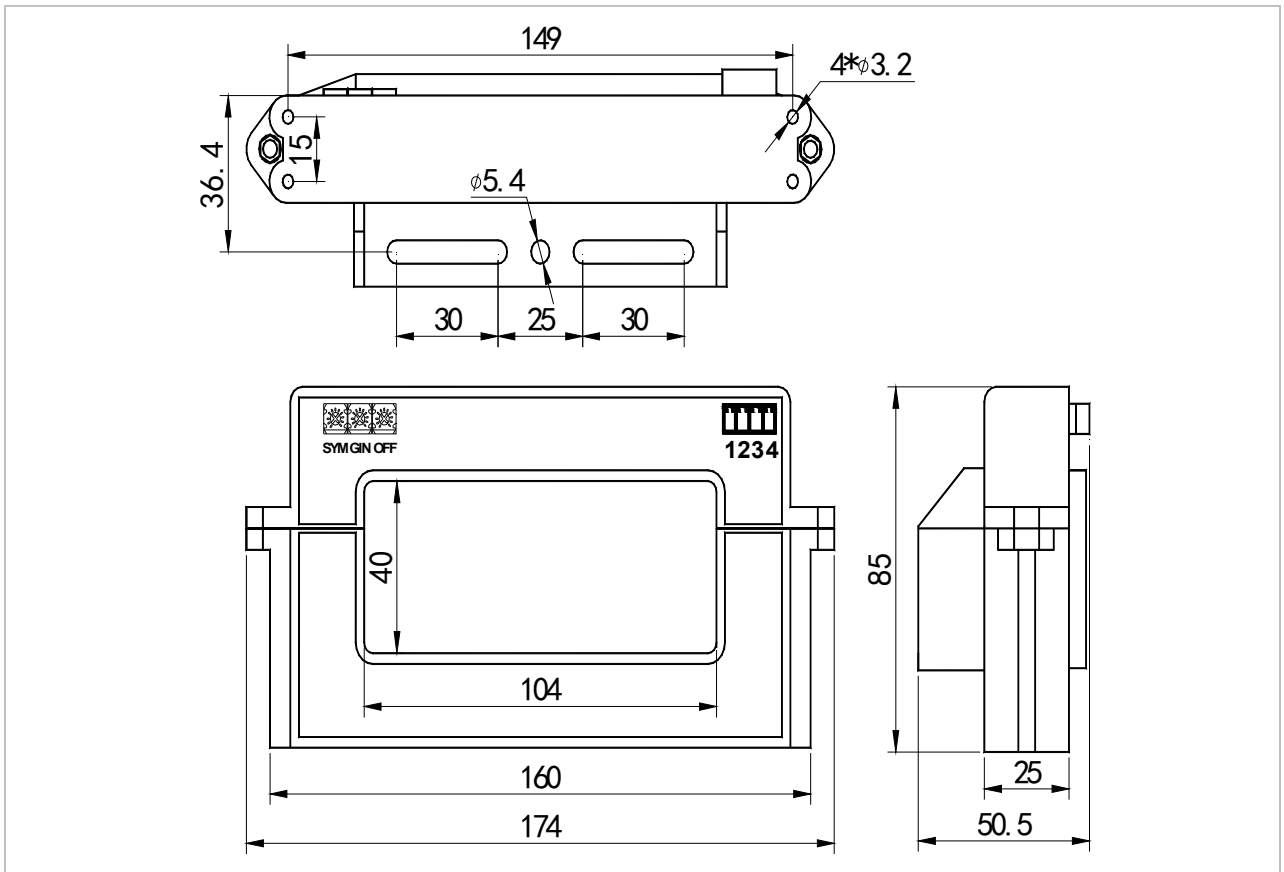
l _{pn}	Primary nominal current (Arms)	500 800 1000 1500 2000
l _p	Primary Current, measuring range(Arms)	120% x l _{pn}
l _{oc}	Over load capacity	10000Arms
V _{sn} (for voltage output)	Secondary output (V _{rms})	DC0-5V, DC0-10V etc
I _{sn} (for current output)	Secondary output (mArms)	DC 4-20mA,DC 0-20mA etc
X	Accuracy (Ta =+25℃)	≤1%
E _L	Linearity error	≤0.5%
V _c	Power supply voltage	P _n (±5%)
V _{ofs} /I _{ofs}	Offset voltage/Offset current (Ta =+25℃)	≤50mV(for voltage output)/ ≤80uA (for current output)
T _r	Response time	≤ 300mS
f	Frequency bandwidth	40-200HZ
I _c	Current consumption	30mA (for current output : + I _s)
R _L	Load resistance	>5KΩ(for voltage output)/ ≤450Ω(for current output)
V _d	Isolation test(50HZ,1min)	6KV

4. General data:

ADD: Linhe Industrial Development Zone Shunyi 101300 Beijing China Web: www.passiontek.com.cn
TEL : Tel : +86 10 89 494 921 Fax : +86 10 89 494 925 Email: bjpas@passiontek.com.cn

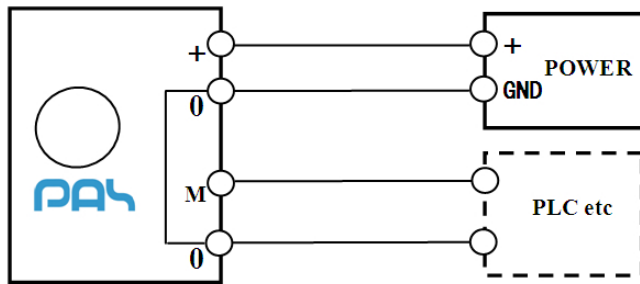
Ta	Ambient operating temperature	-25 - +70 °C
Ts	Ambient storage temperature	-40 - +85 °C
W	Mass	600g
St	Standards	IEC688:1992;EN61326
Ha	Ambient operating humidity	0-95% RH
	Case material	According to UL94-V0

5. Dimensions



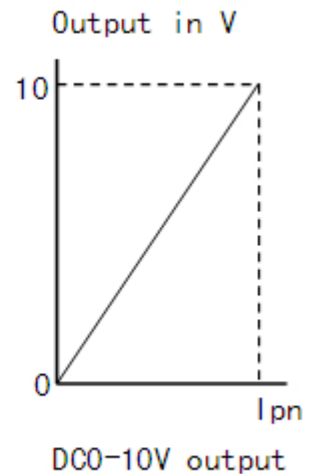
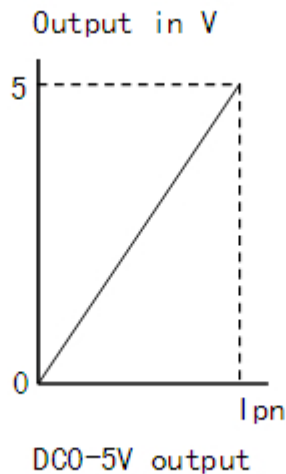
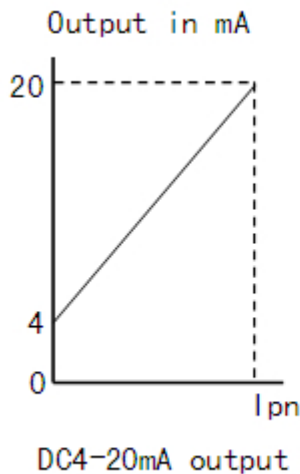
General tolerance	± 1mm
Primary window size	104 x 40mm
Fastening	Bottom: 2 x Φ5.5mm

6. Connection



Pin	Definition
1	(+)supply voltage+
2	(0)supply Gnd
3	(M)output signal +
4	(0) output signal -

7. Output figure



8. Safety items



1. Only qualified people can operate with such electrical products.
2. Wrong connection may destroy the products.
3. ESD protection is necessary, please follow the correct process.
4. Do not use in the environment with conductive dust and corrosive gas.
5. The Potentiometers on the product are used by PAS internal, the user can not calibrate.
6. Strong vibration and very high temperature may damage the products.



1. After the installation, the bus bar may be connected to the high voltage equipment, please do not touch the exposed parts of the transducers to avoid electric shock!

Note: 1.Passion technology company reserves the right to modify the datasheets at any time without previous notifications.
 2.Any question about the datasheet, please contact our TCS.